

PTOG SERIES MELT PRESSURE TRANSDUCER AND PRESSURE TRANSMITTER

Features

Accuracy is higher than $\pm 0.5\%$

Protection grade IP65

Internal 80% calibration signal

Multiple process connection installation

The standard diaphragm is 17-4PH, and a variety of material diaphragms can be selected



Description

This series of high-temperature melt pressure sensor and pressure transmitter adopts Wheatstone bridge principle, can output a variety of signals, is simple to install, has good product performance, and is widely used in chemical fiber industry, rubber industry and plastic extrusion industry.

Technical parameter

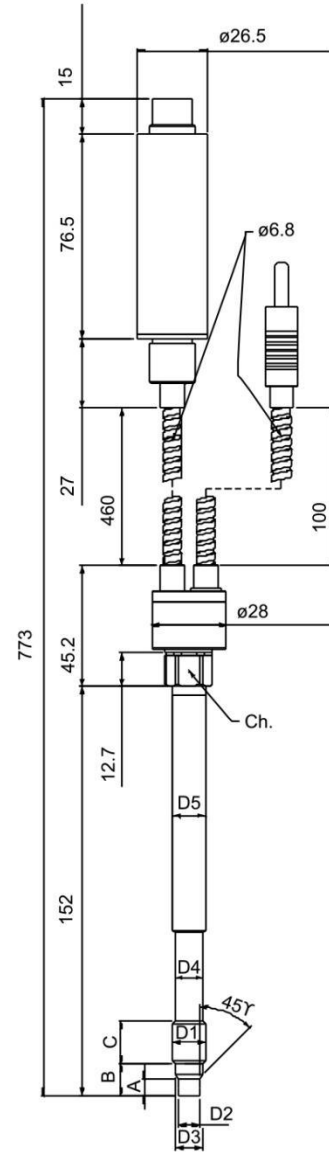
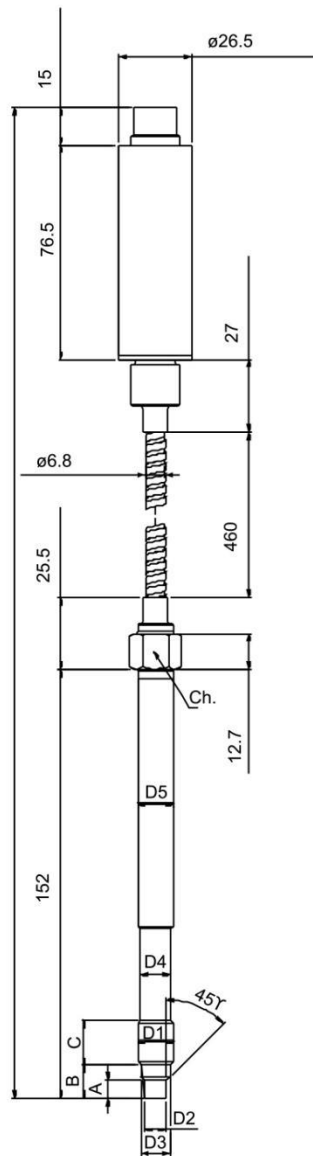
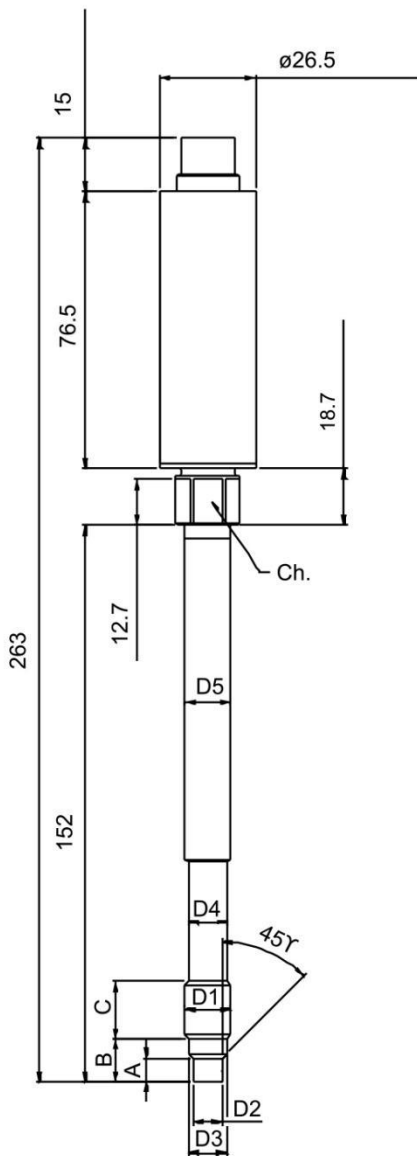
Output signal	2.5mV/V、3.33mV/V	4~20mA	0~10V、0~5V 0.1 ~ 5.1V、 0.1~10.1V	4~20mA+Relay
Signal category	Four-wire	Two-wire	Three-wire	Three-wire
Pressure range	0~10MPa-0~200MPa	0~3.5MPa-0~200MPa		
Standard accuracy	$\pm 0.5\%$ FSO			
Overload pressure	1.5 times rated pressure			
Voltage	6~12Vdc(Standard10Vdc)	12~30Vdc	15~30Vdc	15~30Vdc
Insulation resistance	$>1000M\Omega$ (50Vdc)			
Calibration signal	80%FSO			
Diaphragm material	17-4PH(Standard)			
Diaphragm temp	400°C			
Shell temperature range	-25~85°C			
E-connection	6PIN (Standard)			
Protection level	IP65			
Process connection	1/2-20UNF(Standard)			
Thermocouple	J Type			
Installation torque	$<40Nm$			



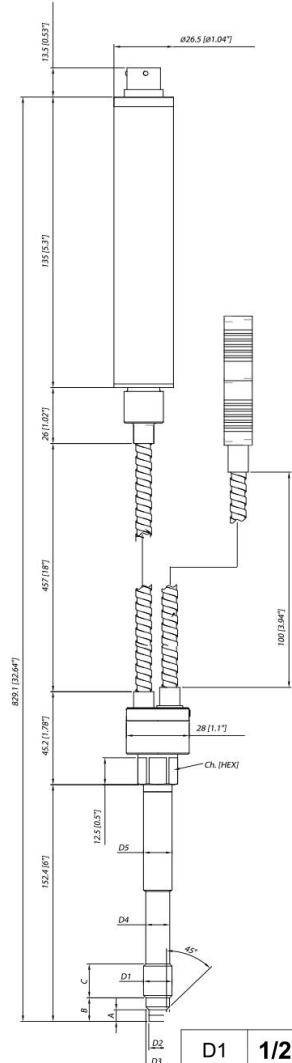
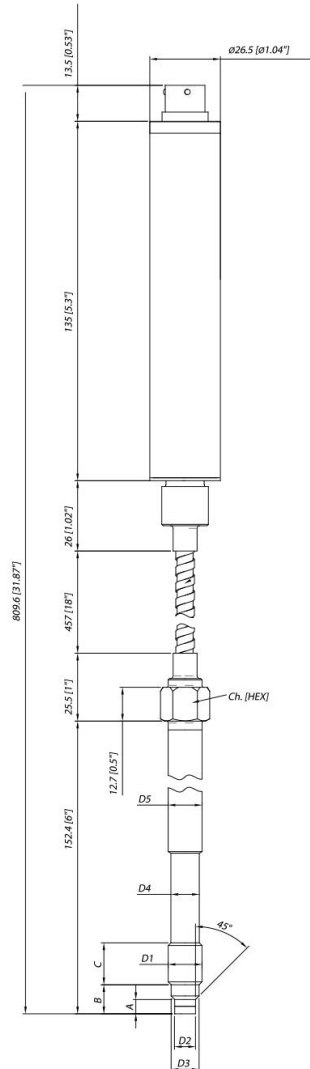
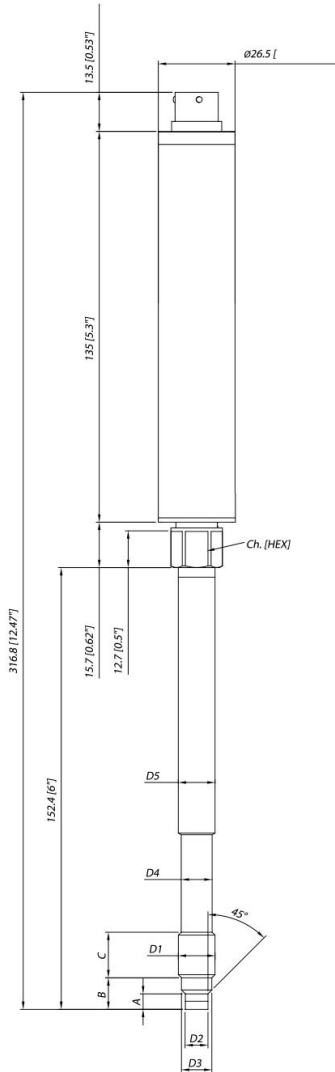
Selection

Dimension

None-Relay Output



With Relay Output



D1	1/2 - 20UNF
D2	$\phi 7.8 - 0.05$
D3	$\phi 10.5$
D4	$\phi 10.8$
D5	$\phi 12.7$
A	5.5
B	11.5
C	16
Ch	SW16



E-connection

Serial No.	PTOG	X	X	X	X	X	X	X	X	X	X	X
Pressure Range	3.5MPa 35bar 500psi	5C										
	10MPa 100bar 1500psi	1.5M										
	20MPa 200bar 3000psi	3M										
	35MPa 350bar 5000psi	5M										
	50MPa 500bar 7500psi	7.5M										
	70MPa 700bar 10000psi	10M										
	100MPa 1000bar 15000psi	15M										
	140MPa 1400bar 20000psi	20M										
	200MPa 2000bar 30000psi	30M										
Process Connection	M10×1	M10										
	1/2-20UNF	1/2										
	M14×1.5	M14										
	M18×1.5	M18										
Rigid Stem	6 inch (152mm)				6							
	9 inch (229mm)				9							
	12.5 inch (318mm)				12							
	15 inch (381mm)				15							
	18 inch (460mm)				18							
Flex Stem	-											
	18 inch (460mm)				/18							
	24 inch (610mm)				/24							
	30 inch (760mm)				/30							
Output Signal	4 ~ 20mA					DA						
	0 ~ 5Vdc					DV1						
	0 ~ 10Vdc					DV						
	0.1 ~ 5.1Vdc					DV2						
	0.1 ~ 10.1Vdc					DV3						
	3.33mV/V					MV						
	2.5mV/V					2.5MV						
E-connection	6-pin standard aviation connector											
	7-pin standard aviation connector						7P					
	8-pin standard aviation connector						8P1					
Thermocouple	J-type thermocouple with 4-inch bellows protection-standard series (only for dual temperature and pressure measurement)									J		
Alarm Type	No relay output											
	70%FSO relay output									GC7		
	80%FSO relay output									GC8		
	90%FSO reply output									GC9		
Filled Media	Standard											
	Environmentally Friendly Alloy Filled									EP		
Accuracy	0.50%											
	0.25%										2A	
Diaphragm	17-4PH(Standard)											
	Hastelloy (anti-corrosive type)											C2
	Inconel718(anti-abrasive)											I7

